



DIESEL GENERATOR SET

SERVICE		STAND BY	PRIME
Power	kVA	385	350
Power	kW	308	280
Speed	r.p.m	1500	
Standart Voltage	V	230/400	
Power Factor	Cos Phi	0,8	

Prime Power (PRP)

According to ISO 8528-1:2005, Prime power is the maximum power which a generating set is capable of delivering continuously whilst supplying a variable electrical load when operated for an unlimited number of hours per year under the agreed operating conditions with the maintenance intervals and procedures being carried out as prescribed by the manufacturer. The permissible average power output (Ppp) over 24 h of operation shall not exceed 70 % of the PRP.

Emergency Standby Power (ESP):

According to ISO 8528-1:2005, Emergency standby power is the maximum power available during a variable electrical power sequence, under the stated operating conditions, for which a generating set is capable of delivering in the event of a utility power outage or under test conditions for up to 200 h of operation per year with the maintenance intervals and procedures being carried out as prescribed by the manufacturers. The permissible average power output over 24 h of operation shall not exceed 70 % of the ESP.



+90 533 070 09 09 pbx
www.thorgenerator.com

THOR GENERATOR

High E Blok Daire 3106 Ünalın Mah. Libadiye Cad.

Emaar Squar Üsküdar/İstanbul/Türkiye

+90 216 759 81 29 | www.thorgenerator.com

ENGINE

SPECIFICATIONS

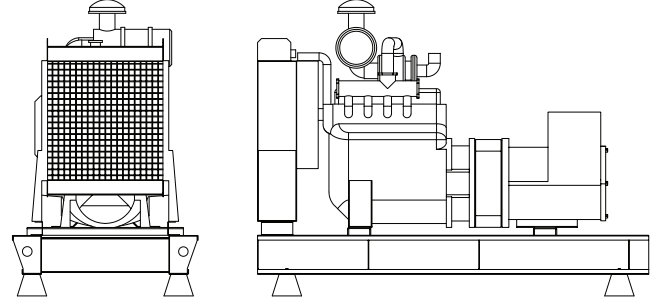
Brand	LISTER PETTER	
Model	LP612G3	
Model Series	Venüs	
Emission	Stage II	
Fuel Type	4 Stroke – Diesel	
Injection Type and System	Indirect injection	
Aspiration	Turbo Charge & Air-Air	
Governor System	Elektronik	
Number of Cylinders	6	
Bore and Stroke	<i>mmxmm</i>	128x153 mm
Total Displacement	<i>lt</i>	11,8
Cooling System	Water Cooled	
Compression Ratio	17:01	
Fuel Consumption 50% PRP	<i>lt/s</i>	37
Fuel Consumption 75% PRP	<i>lt/s</i>	54,1
Fuel Consumption 100 % PRP	<i>lt/s</i>	72,9
Fuel Consumption Standby	<i>lt/s</i>	81
Total oil capacity	<i>lt</i>	41
Total coolant capacity	<i>lt</i>	56

ALTERNATOR

SPECIFICATIONS

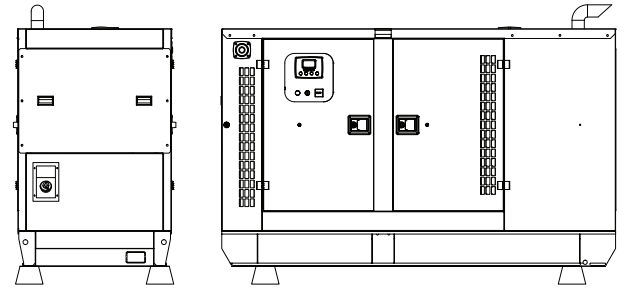
Number Of Phases	3	
Power Factor	0,8	
No of Bearings	Single	
No of Poles	4	
No of Leads	6-12	
Insulation Class	H	
Degree of Protection	IP23	
Excitation System	AVR	

DIMENSIONS



OPEN TYPE

WxLxH	<i>mm</i>	3300 x 1600 x 2400
Weight	<i>kg</i>	3300
Fuel Tank Capacity	<i>lt</i>	810



CANOIPE

WxLxH	<i>mm</i>	4640 x 1600 x 2750
Weight	<i>kg</i>	4300
Fuel Tank Capacity	<i>lt</i>	810

SOUNDPROOF CANOIPE

- Special design for minimizing acoustic level
- Galvanized steel construction further protected by polyester powder coat paint
- Black finish stainless steel locks and hinges
- Control panel viewing window in a lockable access door
- Emergency stop push button (red) mounted on enclosure exterior
- Lifting, drag and jacking points on base frame
- Radiator fill via removable, flush mounted rain cap fitted with compression seal



OPTIONAL GENSET CONTROLLERS

Next generation single gen-set controllers for Stand-by and Prime power applications combining multi-functionality and wide communication with EFI engines.

Datakom SMART 200



Datakom D500



Datakom D500-GSM



EMKO Trans-AUTO



DEEPSEA 7320



ComAp AMF25



	Datakom SMART 200	Datakom D500	Datakom D500-GSM	Deepsea 6120	Deepsea 7320	ComAp AMF25	EMKO Trans-AUTO
Automatic Mains Monitoring	✓	✓	✓	✓	✓	✓	✓
Manuel Start	✓	✓	✓	✓	✓	✓	✓
Remote Start	OPTIONAL	OPTIONAL	✓	X	OPTIONAL	OPTIONAL	OPTIONAL
Remote Monitoring With Sim Card	X	OPTIONAL	OPTIONAL	OPTIONAL	OPTIONAL	OPTIONAL	OPTIONAL
1 Additional Option (Horn, Oil-Fuel Heater Etc.)	✓	✓	✓	✓	✓	✓	✓
Light Warning And Mimic Diagram	✓	✓	✓	✓	✓	✓	✓
Battery Charger	✓	✓	✓	✓	✓	✓	✓
Rs-485 Communication	OPTIONAL	✓	✓	X	✓	OPTIONAL	✓
Ethernet (Tcp-Ip) Communication	X	✓	✓	X	OPTIONAL	OPTIONAL	OPTIONAL

OPTIONAL EQUIPMENTS

Some of our Optional Equipments which can be provided with Generator Sets But not limited to;

- Medium voltage alternator
- Remote radiator applications
- External fuel tanks. Automatic and Manuel fuel filling system from external fuel tanks
- Fuel tank heater, oil pan heater, Anti-condensation heater
- Alternator with PMG (Permanent Magnet Generator)
- Synchronization systems
- Double Walled Fuel Tanks
- Container type canopy
- Lube oil and fuel drain pumps
- Trailer
- Remote monitoring options on the control panel
- Electronic fuel level indicator

